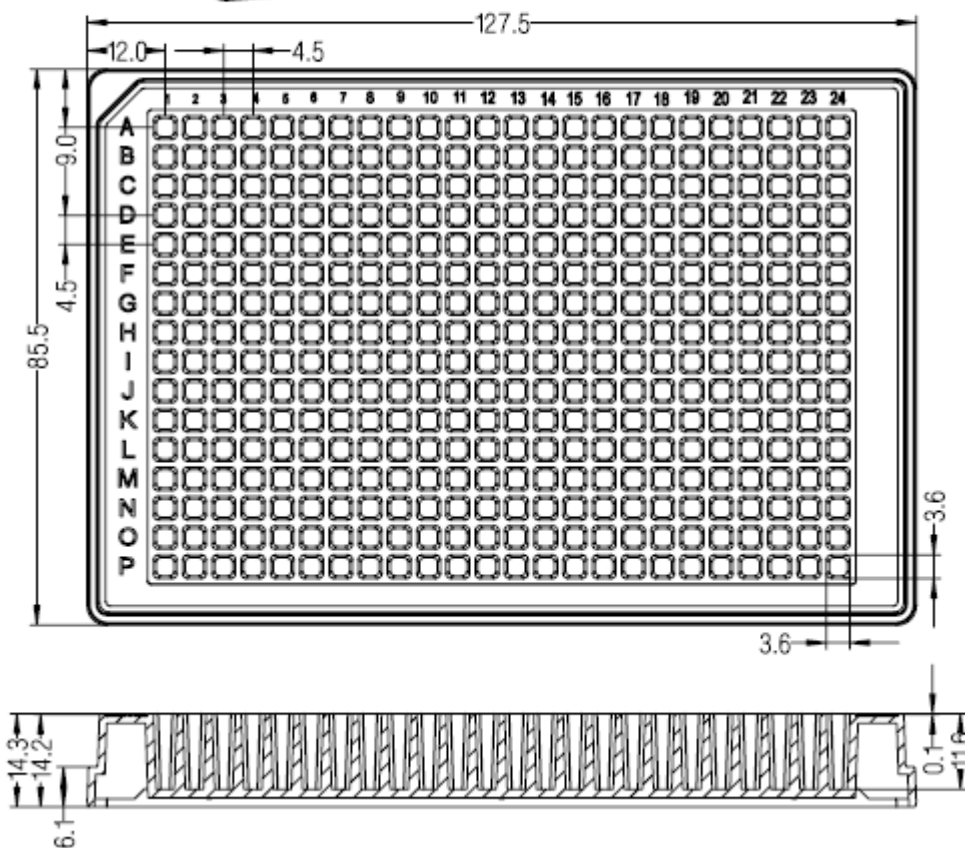
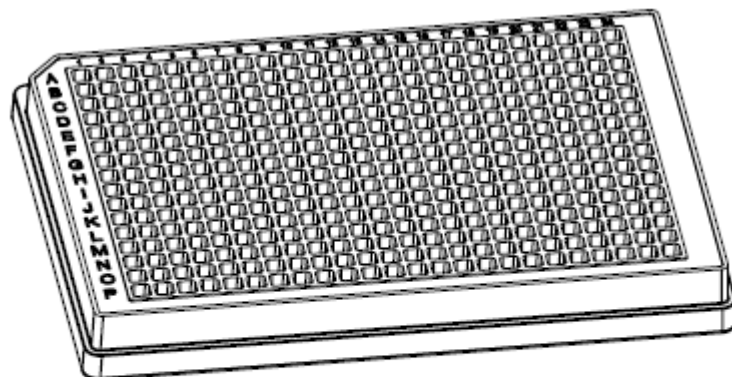


Valid for Item-No.: 1015300/1015304/1015000/1015004/1015002/1015006



"All dimensions in mm"

Customer drawing subject to change without notice!

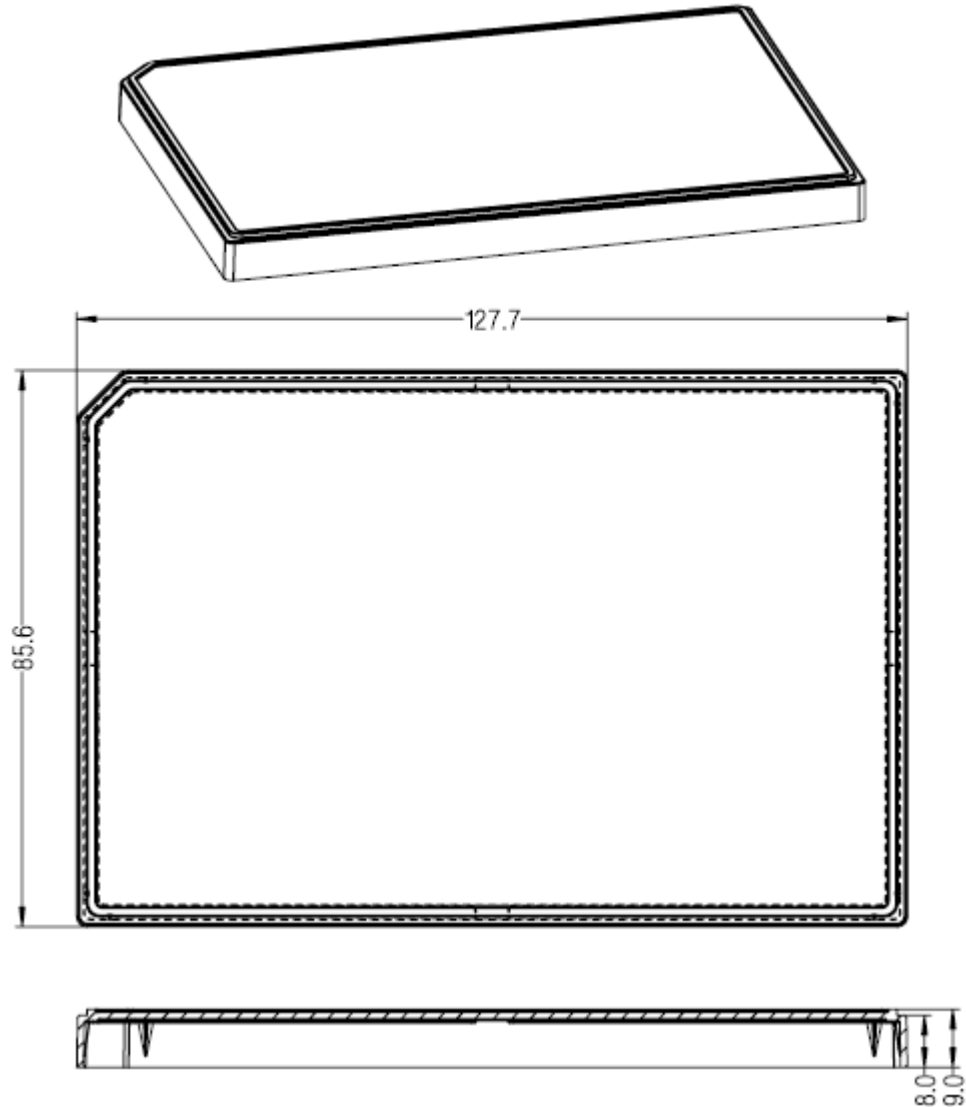
Uncontrolled Copy

Prior Issue	Drawn	Approved	Released	CONFIDENTIAL: Information contained in this document or drawing is confidential and proprietary to Saining Biotechnology Co., Ltd. This document may not be reproduced for any reason without written permission from Saining Biotechnology Co., Ltd. All rights of design, invention, and copyright are reserved.
Revision 1	Date 07.05.2024	Date 14.05.2024	Date 31.05.2024	
Date 01.06.2024	Name Chen Liang	Name Zhang Heng	Name Wang Kedong	

Revision 1

384 Well Cell Culture Plate, Clear, F-Bottom

Valid for Item-No.: 1015300/1015304/1015000/1015004/1015002/1015006



"All dimensions in mm"

Customer drawing subject to change without notice!

**Uncontrolled Copy**

Prior Issue	Drawn	Approved	Released	CONFIDENTIAL: Information contained in this document or drawing is confidential and proprietary to Saining Biotechnology Co., Ltd. This document may not be reproduced for any reason without written permission from Saining Biotechnology Co., Ltd. All rights of design, invention, and copyright are reserved.
Revision 1	Date 07.05.2024	Date 14.05.2024	Date 31.05.2024	
Date 01.06.2024	Name Chen Liang	Name Zhang Heng	Name Wang Kedong	